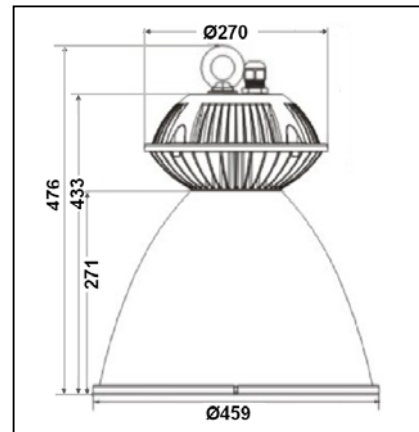


LED Industrial Light Technical Parameters JS(I)-(MAR100W)

Item		Parameters
Input Voltage		AC100~277V
Frequency Range		50Hz~60Hz
Total Harmonic Distortion		≤9 %
Power Factor		>0.95
Power Efficiency		>90 %
LED Quantity		1 PCS COB
LED Consumption		96 W
Rated Power		100 W
LED Initial Flux	W	9150 Lm
	N	9615 Lm
	C	10000 Lm
lamp's Efficiency		>80 %
Color Temperature	W	3000±100K
	N	4000±200K
	C	6000±300K
Color Rendering Index	W	Ra>80
	N,C	Ra>83
Beam Angle		30°
Lighting Distribution		LED+Reflector
LED Junction Temperature		≤80℃
Working Temperature		-20℃~+50℃
Storage Temperature		-25℃~+65℃
IP Grade		IP 65
Working Life-span		50000H
Power line		0.75mm ² ×3
Connect wire	Brown	L
	Blue	N
	Yellow/Green	G
Certificate		UL & DLC



Dimensions @30 degree



IES@30 degree

