

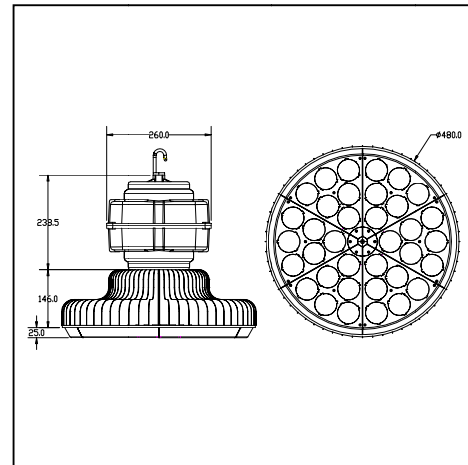
## LED High Bay Technical Parameters

### JS(I)-(BGK360W-A)

Items		Technical Parameters
Input Voltage		AC100-277V
Frequency Range		50Hz~60Hz
Total Harmonic Distortion		≤9 %
Power Factor		> 0.95
Power Efficiency		> 93 %
LED Working Voltage		DC 27V~31V
LED Quantity		36 PCS
LED Consumption		36x9 W
System Consumption		360 W
LED Initial Flux	WW	41400 Lm
	NW	42480 Lm
	CW	43200 Lm
lamp's Efficiency		> 90 %
Color Temperature	WW	3000 ± 100K
	NW	4800 ± 200K
	CW	6000 ± 300K
Color Rendering Index	WW	Ra > 80
	NW,CW	Ra > 83
Beam Angle		60°
Light Design		LED+REFLECTORS
Junction Temperature		≤80 °C
Working Temperature		-20 °C ~ +50 °C
Storage Temperature		-25 °C ~ +65 °C (25 °C best)
IP Grade		IP42
Working Life-span		50000H
Power line		0.75mm <sup>2</sup> (3 core wire)
Connect wire	Brown	L
	Blue	N
	Yellow/Green	G
Color of the lamp shell		Black
Certificate		UL & DLC



Construction & Dimensions



Light distribution

