

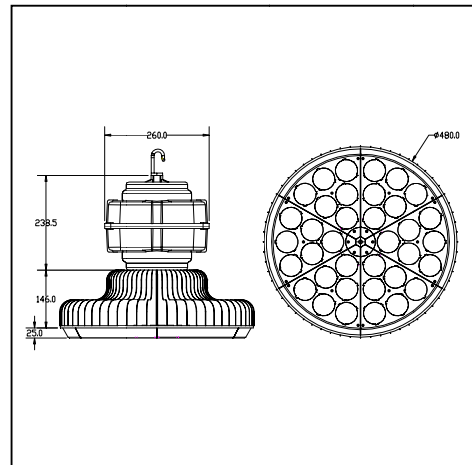
LED High Bay Technical Parameters

JS(I)-(BGK250W-A) UL, DLC

Items		Technical Parameters
Input Voltage		AC100-277V
Frequency Range		50Hz~60Hz
Total Harmonic Distortion		≤9 %
Power Factor		>0.95
Power Efficiency		>93%
LED Working Voltage		DC 27V~31V
LED Quantity		36 PCS
LED Consumption		36x6 W
System Consumption		250 W
LED Initial Flux	WW	27500 Lm
	NW	28850 Lm
	CW	30000 Lm
lamp's Efficiency		>90 %
Color Temperature	WW	3000±100K
	NW	4000±200K
	CW	6000±300K
Color Rendering Index	WW	Ra>80
	NW,CW	Ra>83
Beam Angle		60°
Light Design		LED+REFLECTORS
Junction Temperature		≤80℃
Working Temperature		-20℃~+50℃
Storage Temperature		-25℃~+65℃(25℃ best)
IP Grade		IP42
Working Life-span		50000H
Power line		0.75mm ² (3 core wire)
Connect wire	Black	L
	White	N
	Green	G
Color of the lamp shell		Black
Certificate		UL, DLC



Construction & Dimensions



Light distribution

