

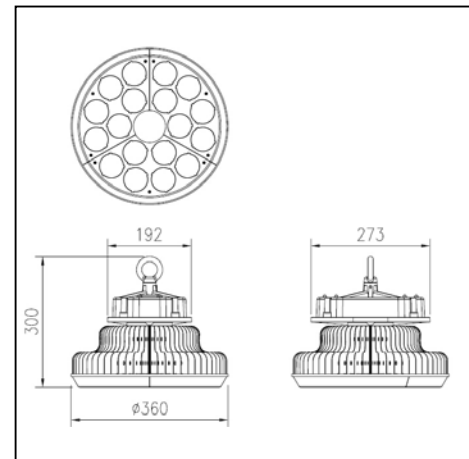
LED Industrial Light Technical Parameters

JS(I)-(BGK150W-A) mini

Item		Parameters
Input Voltage		AC100-277V
Frequency Range		50-60HZ
THD		≤25%
Power Factor		>0.95
LED Specification		SMD
Rated Power		150W
LED Initial Flux	Warm White	16500 Lm
	Neutral White	17250 Lm
	Cool White	18000 Lm
Color Temperature	Warm White	3000 K
	Neutral White	4000 K
	Cool White	5000 K
CRI	Warm White	≥80
	Neutral White/Cool White	≥80
Beam Angle		60°
Lighting Distribution		Reflector
Junction Temperature		≤80℃
Working Temperature		-20℃~+50℃
Storage Temperature		-25℃~+65℃
IP Grade		IP50
Working Life-span		50000H
Power line		3*0.75mm ²
Connect wire	Black	L
	White	N
	Green	G
The color of the lamp shell		Silver
Certificate		UL & DLC



Dimensions



Light Distribution Curve

